

Sounds Like Light

Pitch Pendant

SPECIFICATION DOCUMENT

RICOMAN®



5 YR
WARRANTY

IP20

Overview

Pitch seamlessly combines a soft, fabric-like appearance with sleek metallic accents, resulting to an industrial yet cosy aesthetic. Its dome design ensures this pendant light has both an efficient sound absorption and a contemporary look.

UK
CA

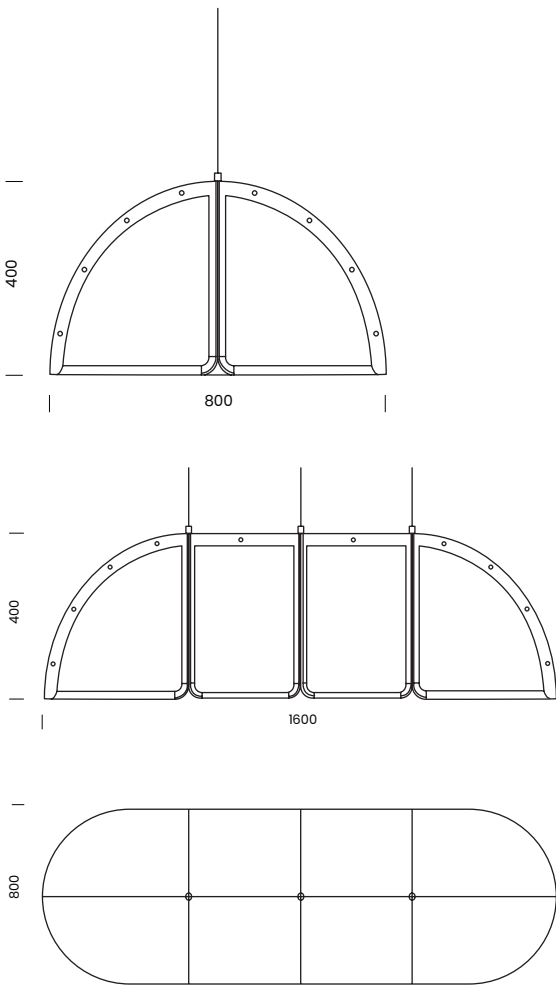
CE

RoHS

Luminaire Variants Data

Part Code	Description	Length	Weight	Number of Lamps	Thickness
R649211/600	Sounds Like Light Pitch Pendant 800mm	800mm	2.5Kg	1	5mm
R649211/1600	Sounds Like Light Pitch Pendant 1600mm	1600mm	5.3Kg	3	9mm

Technical Drawings (mm)



Overview

Applications	Interior
Construction Material	Polyester - PET
IP Rating	IP20
Mounting	Suspended
Acoustic Values (NRC)	0.85 / 0.91
Warranty	5 years

Luminaire Output

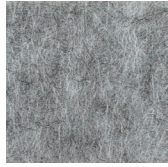
Lamp	E27
------	-----

Colours

AC-31/5mm	Black
AC-35/5mm	Light Grey



AC-31/5mm



AC-35/5mm